



Download from
Dreamstime.com

This watermarked comp image is for previewing purposes only.



ID 35103813

© Yulia Gapeenko | Dreamstime.com

[Buku Persamaan Ic Dan Transistor Biasing](#)



BD135 - BD136 BD139 - BD140

Complementary low voltage transistor

Features

- Products are pre-selected in DC current gain

Application

- General purpose

Description

These epitaxial planar transistors are mounted in the SOT-32 plastic package. They are designed for audio amplifiers and drivers utilizing complementary or quasi-complementary circuits. The NPN types are the BD135 and BD139, and the complementary PNP types are the BD136 and BD140.



Figure 1. Internal schematic diagram

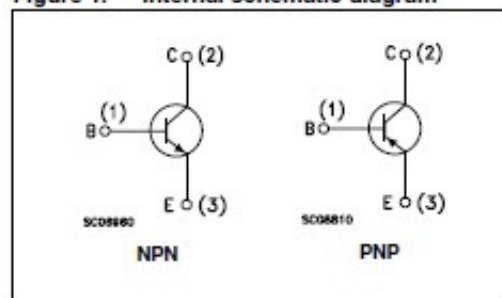


Table 1. Device summary

Order codes	Marking	Package	Packaging
BD135	BD135	SOT-32	Tube
BD135-16	BD135-16		
BD136	BD136		
BD136-16	BD136-16		
BD139	BD139		
BD139-10	BD139-10		
BD139-16	BD139-16		
BD140	BD140		
BD140-10	BD140-10		
BD140-16	BD140-16		



Download from
Dreamstime.com

This watermarked comp image is for previewing purposes only.



ID 35103813

© Yulia Gapeenko | Dreamstime.com

The 2N7000 can switch 200 mA, The BS170 can switch 500 mA, with a maximum on-resistance of 5 Ω at 10 V V_{gs} .

They are sometimes listed together on the same datasheet with other variants 2N7002, VQ1000J, and VQ1000P.. Vishay Siliconix datasheet Retrieved 28 March 2011 Ward Silver (2005) • Lucio Di Jasio; Tim Wilmshurst; Dogan Ibrahim (2007).. The 2N7002 is another different part with different resistance, current rating and package.. The 2N7002 is in a TO-236 package, also known as 'small outline transistor' SOT-23.. IC memory 24c16, Ic vertikal LA 7840 dan STR F6654 The 2N7000 and BS170 are two different N-channel, enhancement-mode MOSFETs used for.

[Mountain Duck 2.3 Download Free](#)

Daftar Persamaan Transistor PERSAMAAN TRANSISTOR KODE Transistor BC107 BC108 BC109 BC147.. The 2N7000 is a widely available and popular part, often recommended as useful and common components to have around for hobbyist use.. The 2N7002 variant is packaged in a TO-236 surface-mount package The 2N7000 and BS170 are two different, used for low-power switching applications, with different lead arrangements and current ratings.. The 2N7002 is in a TO-236 package, also known as 'small outline transistor' SOT-23, which is the most commonly used three-lead surface-mount package.. Features # Easy to search and find by IC name # Download and Save Datasheet # Built in PDF Reader # Save for offline use # Over 3000 components are already available # All categories are well organized # Easy to find by Categories and Sub-Categories # Find Arduino, PIC Microcontroller, various analog and digital ICs # Download and Read related books # You can suggest your desired component This app is not a typical WebView app. [ishq na karna female song titles](#)



BD135 - BD136 BD139 - BD140

Complementary low voltage transistor

Features

- Products are pre-selected in DC current gain

Application

- General purpose

Description

These epitaxial planar transistors are mounted in the SOT-32 plastic package. They are designed for audio amplifiers and drivers utilizing complementary or quasi-complementary circuits. The NPN types are the BD135 and BD139, and the complementary PNP types are the BD136 and BD140.

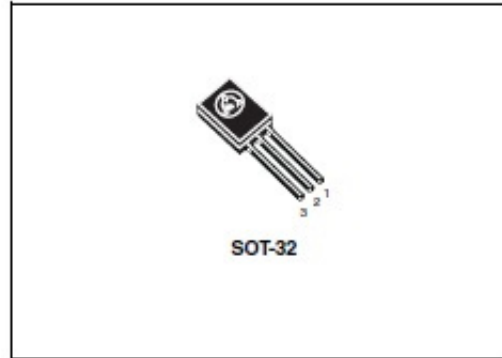


Figure 1. Internal schematic diagram

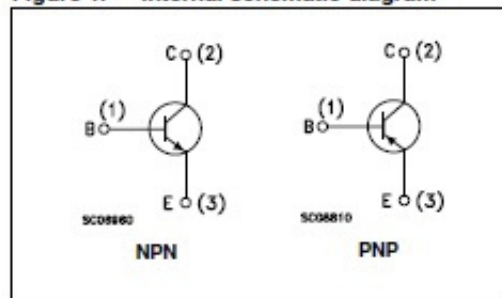


Table 1. Device summary

Order codes	Marking	Package	Packaging
BD135	BD135	SOT-32	Tube
BD135-16	BD135-16		
BD136	BD136		
BD136-16	BD136-16		
BD139	BD139		
BD139-10	BD139-10		
BD139-16	BD139-16		
BD140	BD140		
BD140-10	BD140-10		
BD140-16	BD140-16		

[Preroll Post For Mac](#)

' The word 'FETlington' is a reference to the -like saturation characteristic A typical use of these transistors is as a for moderate voltages and currents, including as drivers for small lamps, motors, and relays.. Prasad (1997) • (February 1986) Richard Ross External links [] • • demonstrates extremely high gate impedance with a simple LED circuit • Detailed description of usage of a similar MOSFET Datasheets •, NXP Semiconductors •, NXP Semiconductors •, On Semiconductor •, On Semiconductor.. Low threshold voltage means no gate bias required; high input impedance of the Create a book Download as PDF Printable version.. Fungsi transistor dan ic Simbol Komponen Elektronika Dan Fungsinya, Buku Persamaan Ic Dan Transistor Globekindl, Electro Zone Ic Integrated Circuit.. The BS250P is 'a good p-channel analog of the 2N7000 'Packaged in a enclosure, both the 2N7000 and BS170 are 60 devices.. A sesuai persamaan Pengaruh Bias Pada Kerja Transistor Download our buku persamaan transistor dan ic eBooks for free and learn more about buku persamaan transistor dan ic.. Applications [] The 2N7000 has been referred to as a 'FETlington' and as an 'absolutely ideal hacker part.. Laporan-percobaan-3 pdf - Karakteristik Transistor dan Rangkaian Bias Data Percobaan Karakteristik Input I B-V BE V. 0041d406d9 [Haali Video Renderer Download Free](#)

0041d406d9

[Brother Ql-500 Driver Download Mac](#)